

SONY
make.believe



VCT-SP2BP
VCT-SP1BP
Camcorder Support

Two-way Camcorder Support System

Sony's new VCT-SP2BP camcorder support is designed to smoothly integrate with consumer and professional tripod heads. A quick release system allows camera operators to easily follow the action from tripod to stabilized handheld shooting and back again.



Preset the shoulder pad to fit your size

Adjust the length of the shoulder pad and fix it using a screw



Easy transformation from tripod operation style to shoulder support style



1. Easily detach the camcorder from tripod



2. Stretch out the shoulder pad and put camcorder on shoulder

* Instant support is available using only the shoulder pad

3. Lower the chest pad

4. Stretch out the chest pad



5. A three point support is achieved using the "shoulder", "chest" and "your hand"

Comes with various adaptors



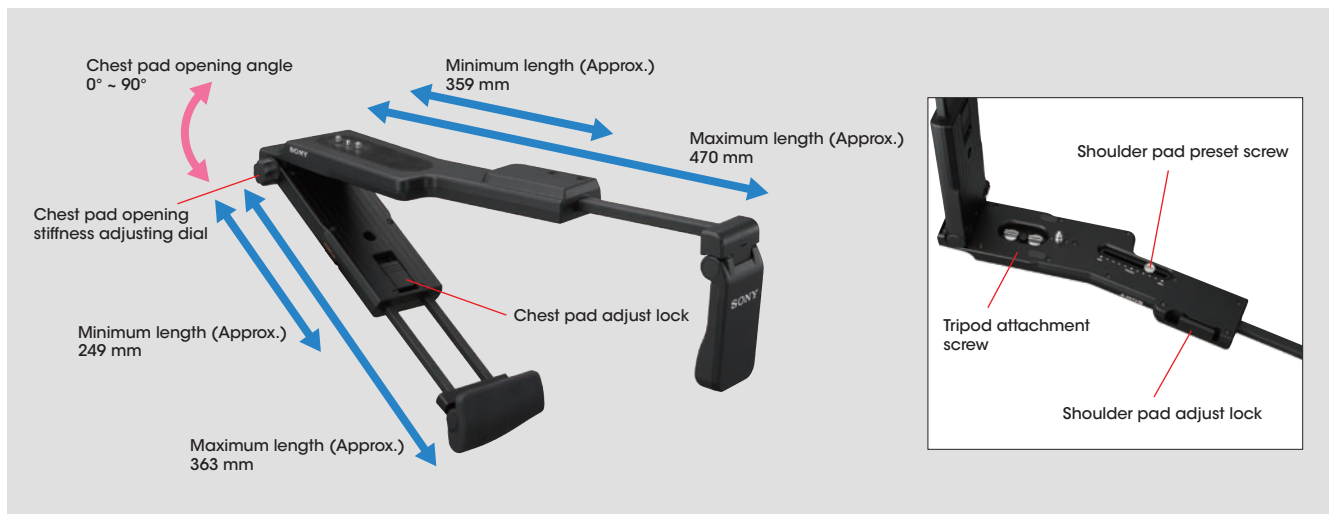
Comes with VCT-U14 Adaptor

Comes with an accessory adaptor

Various accessories can be mounted
Ex. Wireless microphone receiver

Screw the accessory adaptor on to VCT-SP2BP

Perfect Design for Both Shoulder Support and Tripod Usage



Multi-purpose Camcorder Support System

Weight Support for Stable and Comfortable Shooting
 VCT-SP1BP is a weight support system for handheld camcorders.
 Shoulder and hip weight distribution reduce hand/arm load weight.



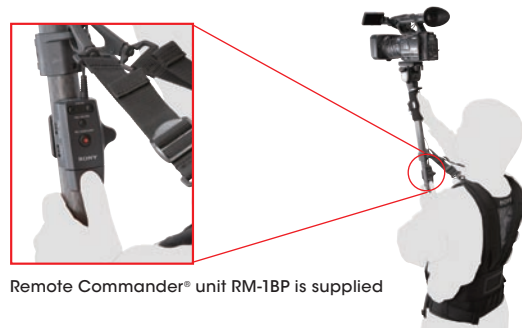
Maintain Shooting Mobility

Comfortable and portable, the monopod system provides mobility to allow flexible shooting styles.
 Easy set-up with one action harness connection attach/detach system.



Remote Control Capability

Remote Commander® unit RM-1BP is supplied with this system. You can remotely control the basic functions of your camcorder such as record start/stop, zoom and focus. This is especially useful for high angle shooting where you cannot operate your camcorder directly,



Remote Commander® unit RM-1BP is supplied

Supports Varieties of Shooting Styles

Using the VCT-SP1BP, you have the flexibility to move around while maintaining a stable shot even in crowded areas.
 Three main shooting styles are possible with the VCT-SP1BP.

1. Normal shooting
2. High angle shooting
3. Monopod shooting



Normal Shooting




High Angle Shooting



Monopod Shooting


Perfect Design as a Camcorder Monopod

Quick shoe plate




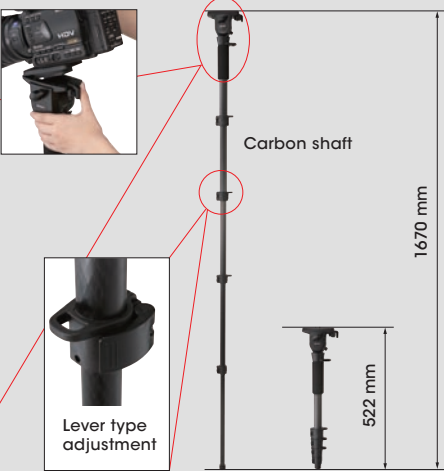
Slide bolt
For weight balance

Two bolts (removable)
For more stable attach



Screw a bolt by fingers

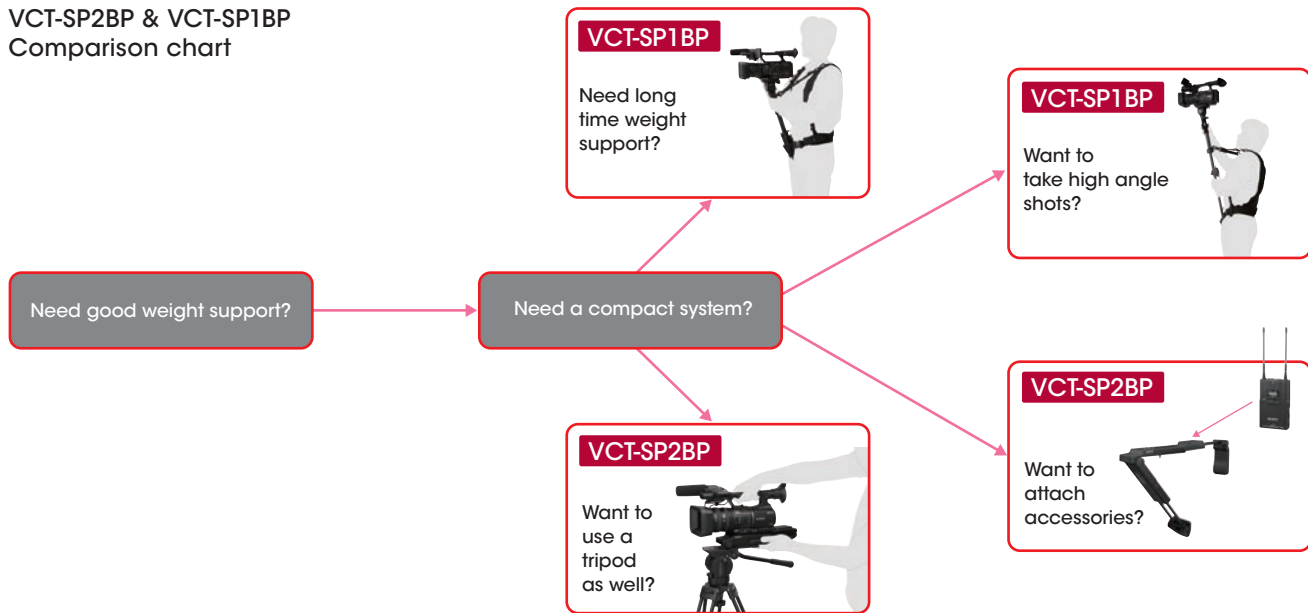




1670 mm

522 mm

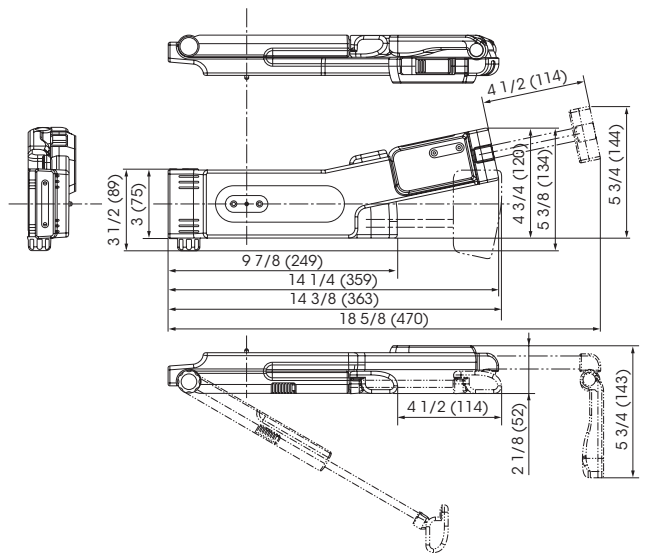
VCT-SP2BP & VCT-SP1BP
Comparison chart



Specifications

	VCT-SP2BP
Dimension (Approx.)	W 14 1/4 x H 2 1/8 x D 5 3/8 inches (359 x 52 x 134 mm)
Weight (Approx.)	29.6 oz (840 g)
Maximum Load	4 kg (Not only camera, but all attached load)

DIMENSIONS

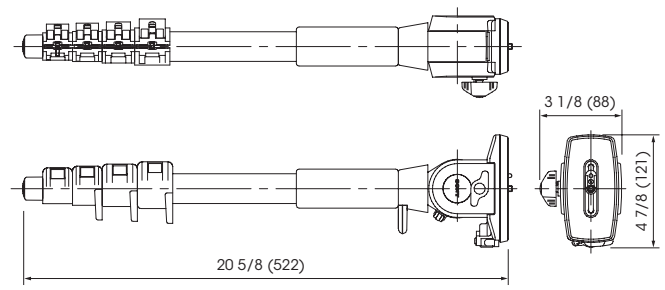


Unit: inches (mm)

Specifications

	VCT-SP1BP
Monopod	
Dimension (Approx.)	Max. Height 65 7/8, Min. Height 20 5/8 inches (1670, 522 mm)
Weight (Approx.)	2 lb14 oz (1.3 kg)
Maximum Load	5 kg (Not only camera, but all attached load)
Tilting Angle <Down>	60 degrees
Tilting Angle <Up>	45 degrees
Remote Controller	
Rec. Start / Stop	Rec. Start / Stop
Zoom	Variable Zoom
Other functions	Zoom Speed (3steps), Zoom Direction Switch, Rec Review, Focus
Length of Cord (Approx.)	39 3/8 inches (1000 mm)

DIMENSIONS



Unit: inches (mm)

©2010 Sony Electronics Inc. All rights reserved.

Reproduction in whole or in part without written permission is prohibited.

Features and specifications are subject to change without notice.

All non-metric weights and measurements are approximate.

Sony, "make.believe" and their respective logos and Remote Commander are trademarks of Sony.