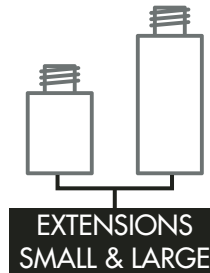
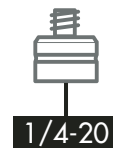
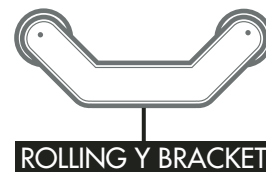


UNIVERSAL LENS SUPPORT (15mm LW)

Included:

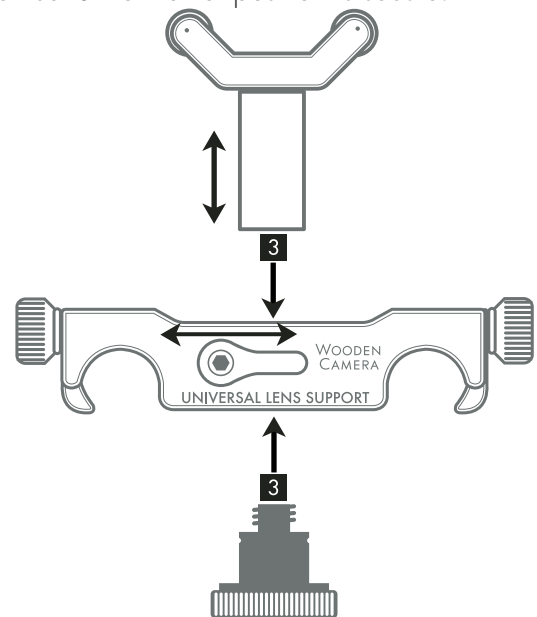
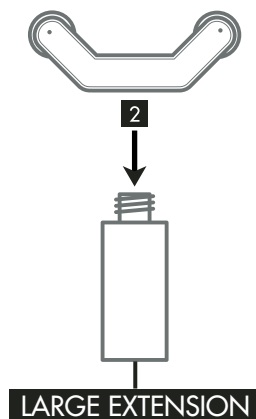
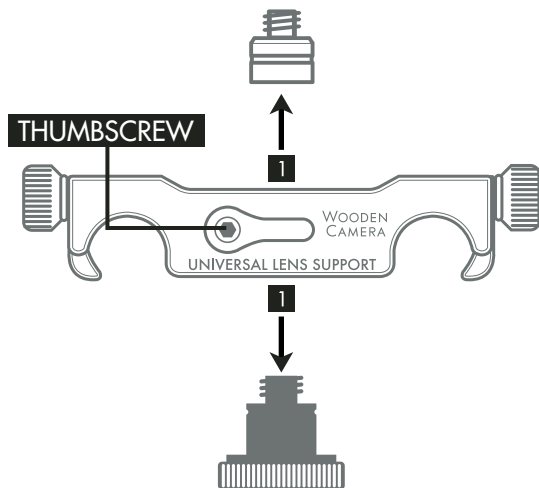


INSTALLATION

NOTE: LENS SUPPORT comes with factory installed 1/4-20 SCREW. To remove and install additional adapters follow the steps below.

1. Select LENS SUPPORT, loosen thumbscrew, locate and loosen TIGHTENING KNOB to remove 1/4-20 SCREW.

2. Choose desired adapter type. For example: select and tighten Y BRACKET to LARGE EXTENSION and install as shown below.
3. Select LENS SUPPORT, insert Y BRACKET, insert TIGHTENING KNOB, adjust left or right position and up or down to proper lens height, tighten THUMBSCREW until vertical & horizontal position is secure.



4. Place LENS SUPPORT on RODS and tighten using THUMBWHEELS.

5. Unlock THUMBSCREW, center Y BRACKET position under LENS, adjust height and re-tighten THUMBSCREW.

