

SHOULDER RIG (MID)

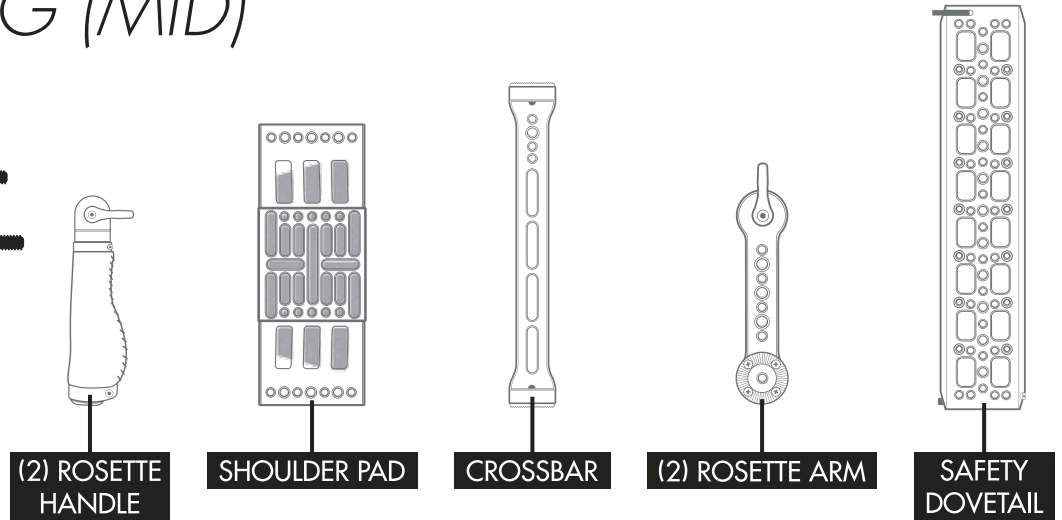
Included:

(2) 1/4-20x3/8 socket cap 

(2) 1/4-20x3/4 button head 

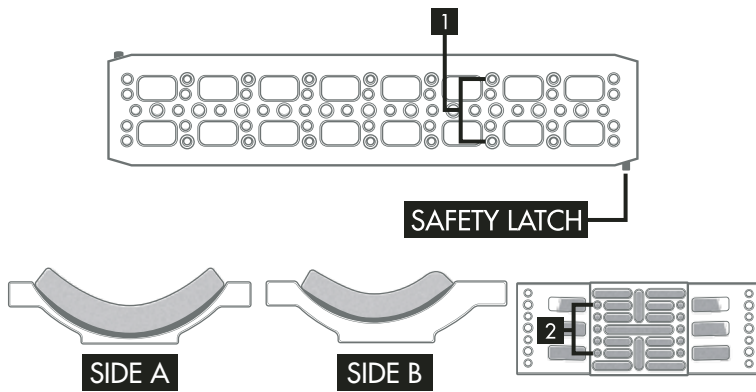
3/16 allen wrench 

5/32 allen wrench 

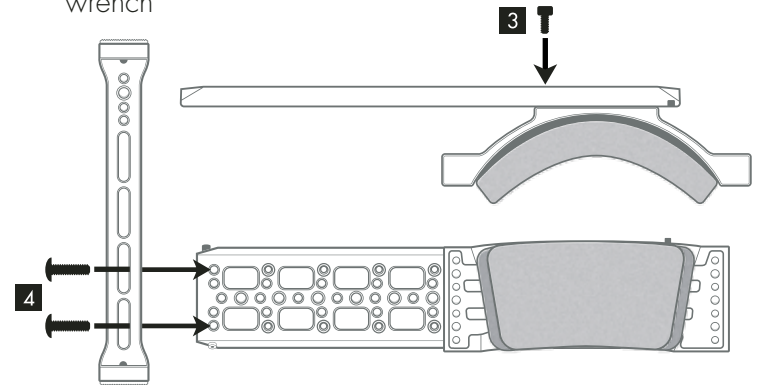


INSTALLATION

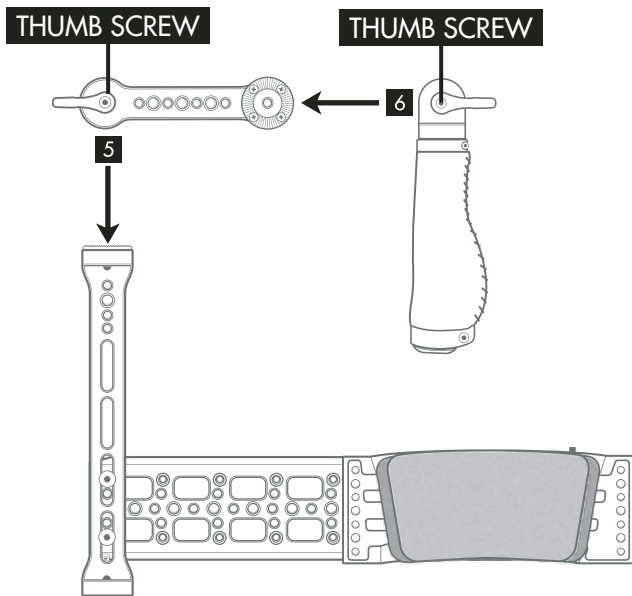
1. Select **DOVETAIL**, locate **SAFETY LATCH** and find noted **1/4 HOLES** as shown below
2. Select and locate **SIDE A** of **SHOULDER PAD** to find noted **1/4-20 HOLES** as shown below



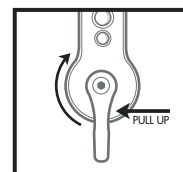
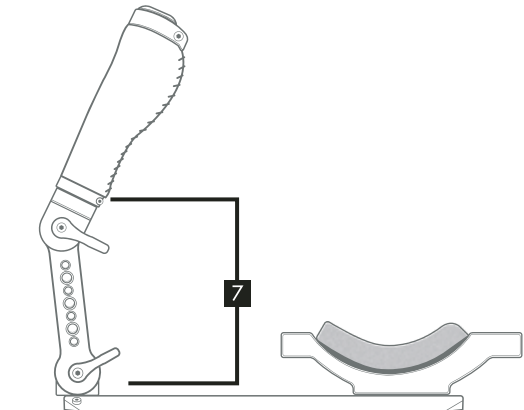
3. With **SIDE A** facing **SAFETY LATCH**, align **DOVETAIL** over **SHOULDER PAD** as shown below, select **1/4-20x3/8 SOCKET CAPS**, tighten with allen wrench
4. Select **CROSSBAR** and **1/4-20x3/4 SCREWS**, align components as shown, tighten to **DOVETAIL** with allen wrench



5. Select **ROSETTE ARMS**, attach to **CROSSBAR** using **THUMB SCREWS**
6. Select **HANDLES**, attach to **ROSETTE ARMS** using **THUMB SCREWS**



7. Loosen **THUMB SCREWS** to adjust **HANDLES** and **ROSETTE ARMS** to desired position



NOTE: THUMB SCREWS can be adjusted by pulling upward and turning to desired position